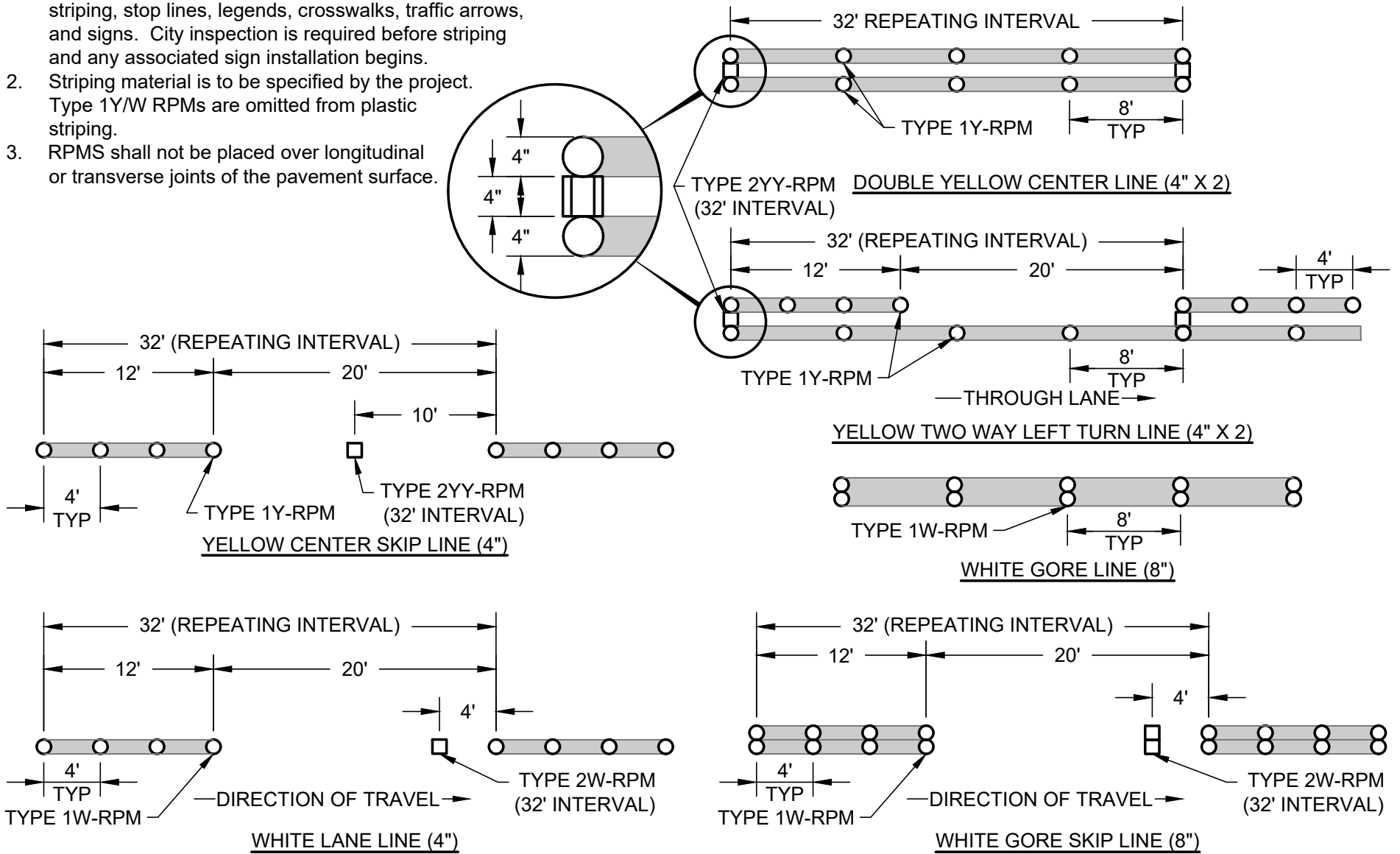


NOTES:

1. The contractor will provide necessary control points for striping, stop lines, legends, crosswalks, traffic arrows, and signs. City inspection is required before striping and any associated sign installation begins.
2. Striping material is to be specified by the project. Type 1Y/W RPMs are omitted from plastic striping.
3. RPMS shall not be placed over longitudinal or transverse joints of the pavement surface.



<p>DS RVDR PUBLIC WORKS N/A TACOMA POWER</p>	<p>REVIEWED BY DS EW ENVIRONMENTAL SERVICES N/A TACOMA WATER</p>		<p>APPROVED FOR PUBLICATION DocuSigned by: <i>[Signature]</i> CITY ENGINEER 12/19/2022 DATE</p>	<p>CITY OF TACOMA LONGITUDINAL PAVEMENT MARKINGS STANDARD PLAN NO. CH-03A</p>
--	--	--	---	---