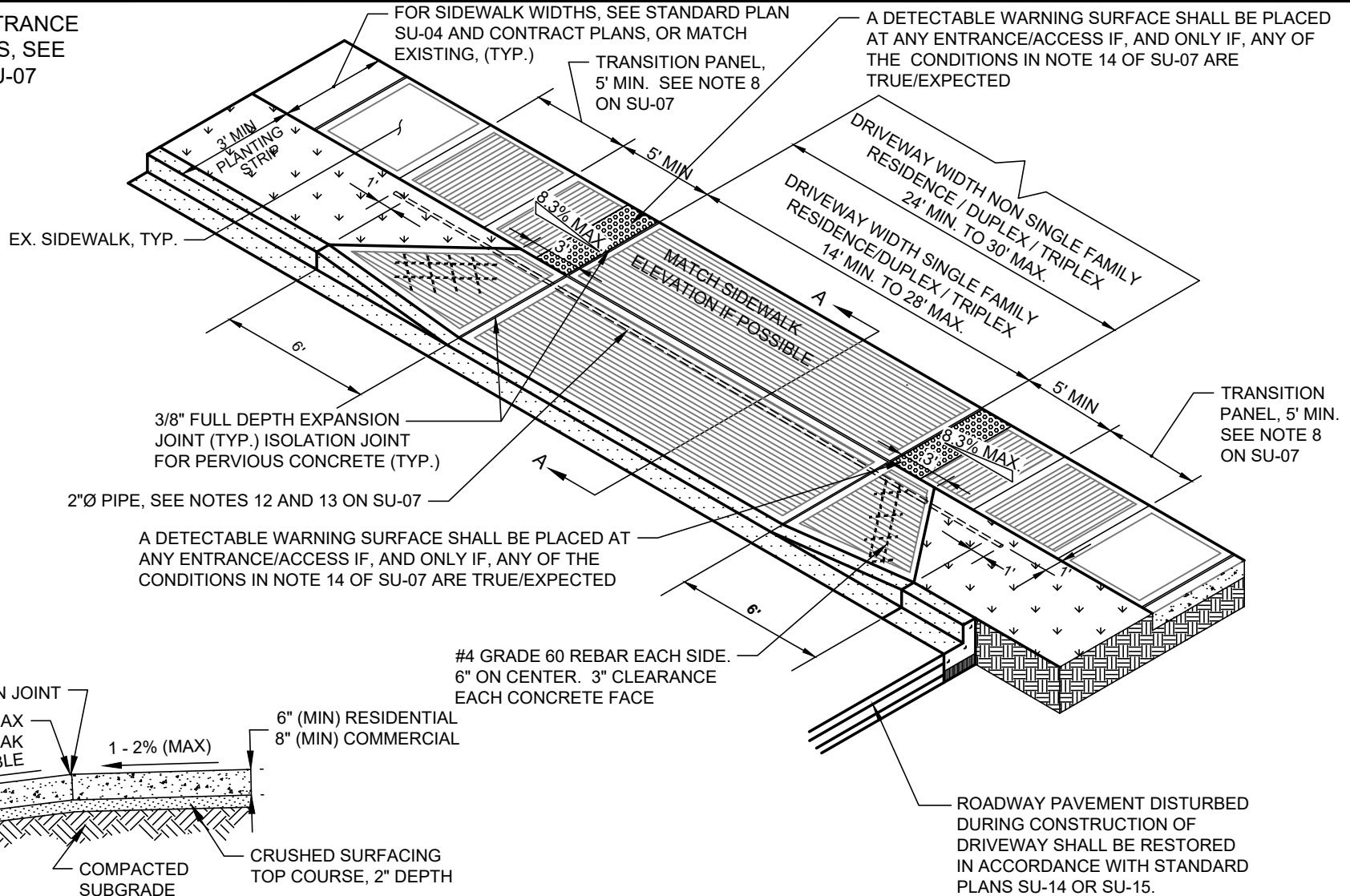
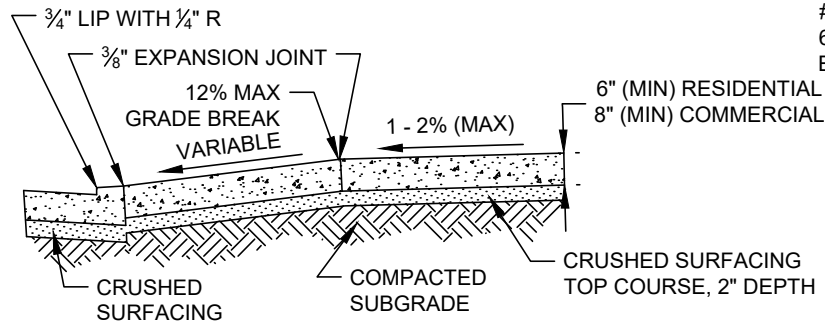


FOR DRIVEWAY ENTRANCE AND ACCESS NOTES, SEE STANDARD PLAN SU-07



A DETECTABLE WARNING SURFACE SHALL BE PLACED AT ANY ENTRANCE/ACCESS IF, AND ONLY IF, ANY OF THE CONDITIONS IN NOTE 14 OF SU-07 ARE TRUE/EXPECTED



NOTE: DESIGNED SECTION REQUIRED FOR PERMEABLE SURFACING. SEE NOTES 10 AND 11 ON SU-07.

STANDARD CONCRETE SECTION DETAIL A-A

<p>DS RVDR PUBLIC WORKS DS TACOMA POWER</p>	<p>NTS REVIEWED BY ENVIRONMENTAL SERVICES TACOMA WATER</p>		<p>APPROVED FOR PUBLICATION</p> <p>DocuSigned by: 10/02/2022 DATE</p>	<p>CITY OF TACOMA CEMENT CONCRETE DRIVEWAY ENTRANCE AND ACCESS TYPE 1</p> <p>STANDARD PLAN NO. SU-07A</p>
---	--	--	---	---