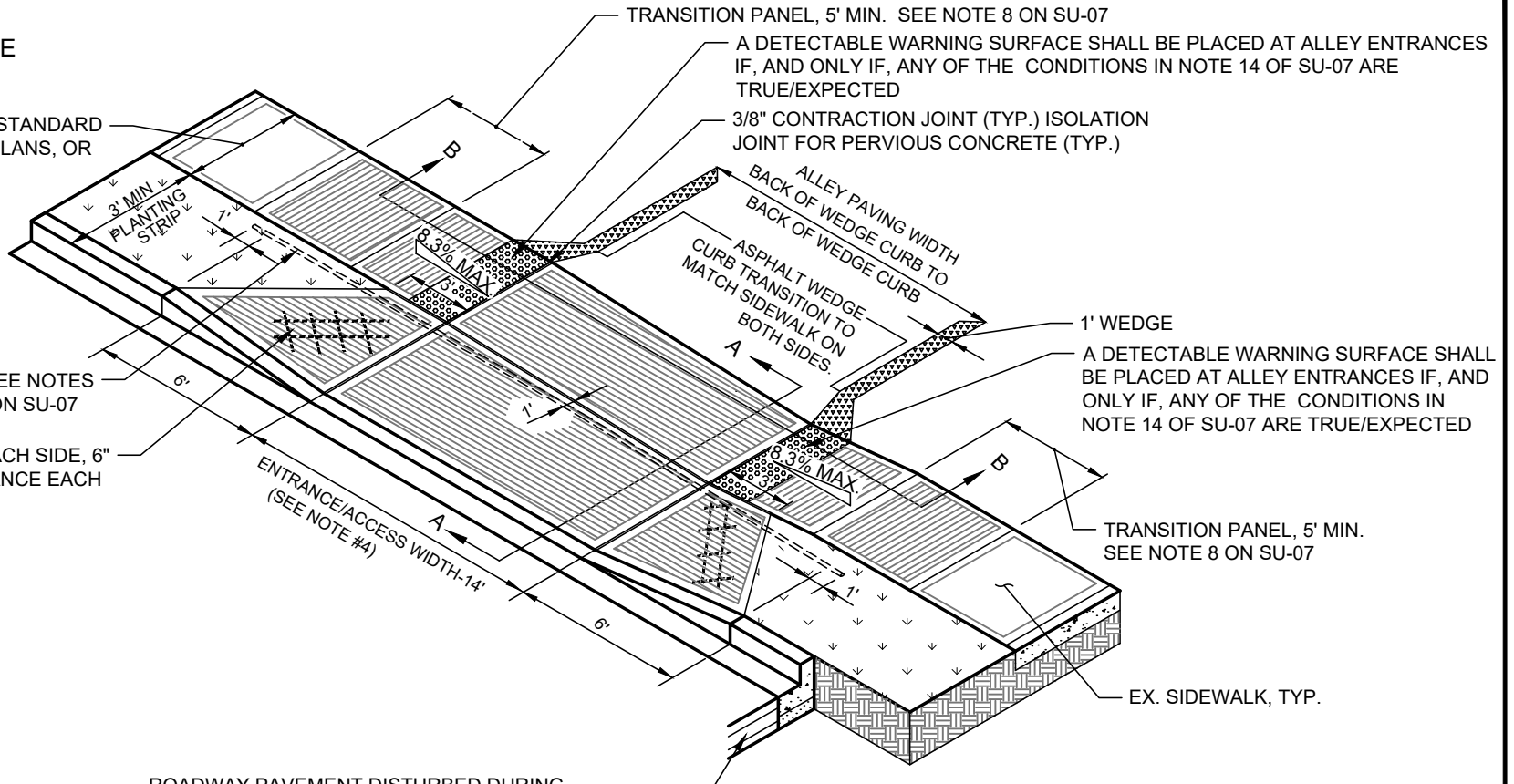


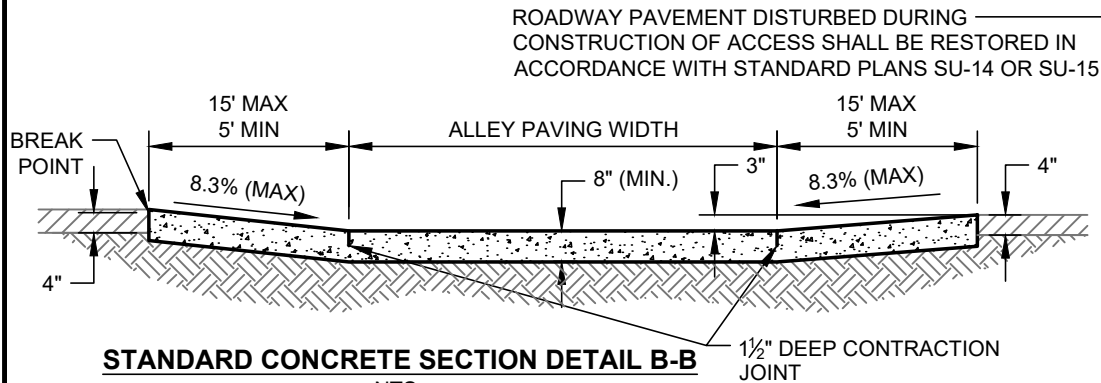
FOR ALLEY ENTRANCE AND ACCESS NOTES, SEE STANDARD PLAN SU-07

FOR SIDEWALK WIDTHS, SEE STANDARD PLAN SU-04 AND CONTRACT PLANS, OR MATCH EXISTING, (TYP.)



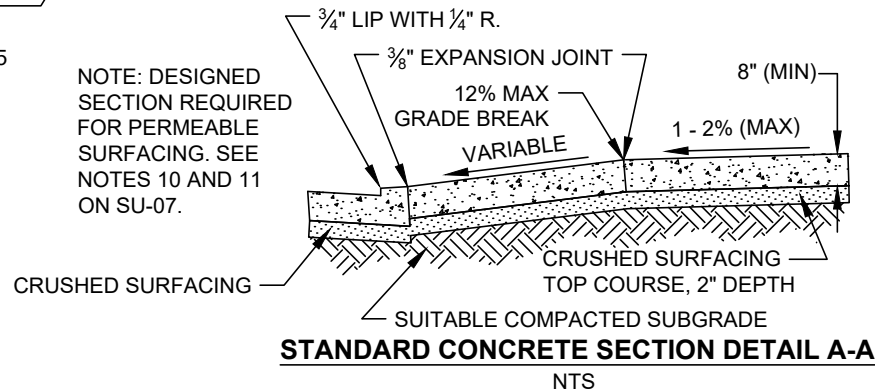
2"Ø PIPE, SEE NOTES 12 AND 13 ON SU-07

#4 GRADE 60 REBAR EACH SIDE, 6" ON CENTER, 3" CLEARANCE EACH CONCRETE FACE



STANDARD CONCRETE SECTION DETAIL B-B

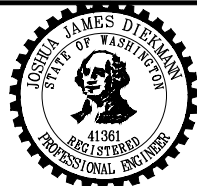
1 1/2" DEEP CONTRACTION JOINT



STANDARD CONCRETE SECTION DETAIL A-A

NOTE: DESIGNED SECTION REQUIRED FOR PERMEABLE SURFACING. SEE NOTES 10 AND 11 ON SU-07.

| | | |
|-----------------|-------------|------------------------|
| DS <i>DS</i> | REVIEWED BY | NTS DS <i>EW</i> |
| DS <i>DS</i> | | DS <i>TS</i> |
| TACOMA POWER | | TACOMA WATER |



APPROVED FOR PUBLICATION

DocuSigned by:
[Signature]

CITY ENGINEER

05/08/2023
DATE

CITY OF TACOMA
CEMENT CONCRETE ALLEY
ENTRANCE AND ACCESS
TYPE 3

STANDARD PLAN NO. SU-07C