

**From:** Barbra Anderson <islandwoman15@gmail.com>  
**Sent:** Saturday, November 23, 2024 2:29 AM  
**To:** City Clerk's Office  
**Subject:** Fire station closures

To all it does concern,

I am concerned about the budget cuts for fire stations!

We all pay taxes for emergency services. With the budget cuts many stations will not be occupied with help 24/7. This causing slower response possibly many deaths to people in our communities.

I would like to see this change back to re appropriate funds or fund raise for fire stations. Charge more tax if needed. EMT's do so much good! We love them! Let's keep them taking care of the people in our communities!

Less funds going to trip to our Sister city in France... Did we the tax payers pay for this fun trip???

Sincerely, neighbor in our community. Barbra Anderson

253 273 3088

Islandwoman15@gmail.com

Sent from my iPhone

**From:** First-Nonviolence <FirstNonViolence@pm.me>  
**Sent:** Sunday, December 1, 2024 4:01 PM  
**To:** City Clerk's Office  
**Subject:** Public Comment - Solid Waste Agenda Item #23  
**Attachments:** 2024.12.03-Diversion Analysis & Handouts.pdf; 2024.12.03-Tacoma City Council 2 Min Talk (1).docx

Hi there,

I would like to provide public comment on 12/3 for Agenda Item #23. I will be speaking via zoom.

My comments and handout are attached.

Thanks,

Paul

---

Paul Quinn  
Cell: 206-515-9165  
Mail: FirstNonViolence@pm.me

---

Sent with [Proton Mail](#) secure email.

# Handout #1 - Analysis of City Tonnage and Diversion Rates

## City of Tacoma

YTD Jul-24

Tonnage (total all types)	YTD Jul-23	% of Total	YTD Jul-24	% of Total
Single-Family	62,696	42%	63,751	43%
Commercial	88,196	58%	84,603	57%
<b>Total</b>	<b>150,891</b>	<b>100%</b>	<b>148,354</b>	<b>100%</b>

Tonnage (by how disposed)	YTD Jul-23	% of Total	YTD Jul-24	% of Total
Garbage (landfill)	120,137	80%	116,446	78%
Recycle	14,295	9%	13,589	9%
Food Scraps / Yardwaste	16,459	11%	18,320	12%
<b>Total</b>	<b>150,891</b>	<b>100%</b>	<b>148,354</b>	<b>100%</b>

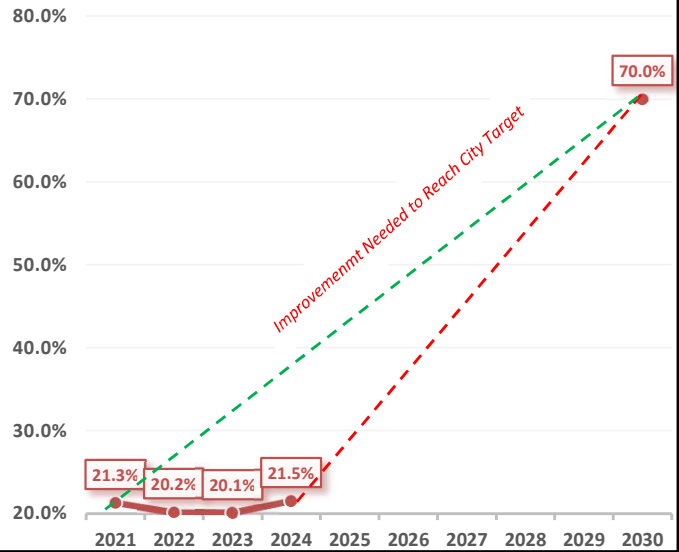
Diversion Rate	YTD Jul-23	YTD Jul-24	vs Prior YR
Single-Family	42%	44%	1.6%
Commercial	5%	5%	-0.1%
% of tot. waste put in recycling & food scraps / yardwaste bins	20.4%	21.5%	1.1%

Missed Opportunity^	YTD Jul-23	YTD Jul-24
Tons of Recycle & Food Scraps / Yardwaste in Landfill	80,492 tons	78,019 tons

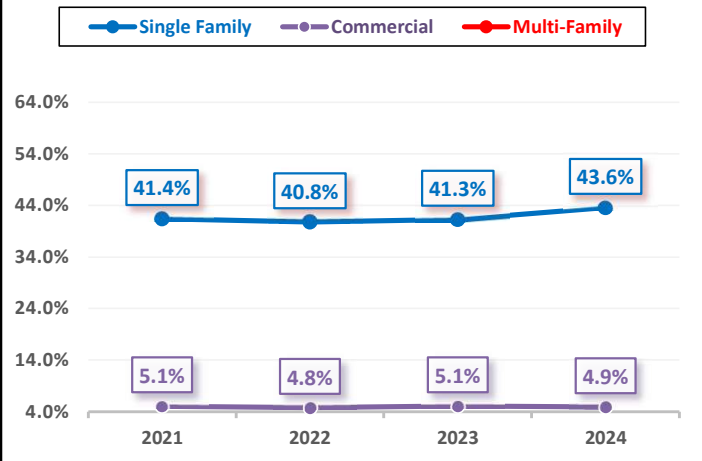
### 5 How Many Pickup Sites Do Not have a Recycle or a Food Scraps / Yardwaste Container

	Garbage Container	No Recycle Container	No Food Scraps / Yardwaste Container
Single-Family	56,628	(642)	(2,356)
Commercial	4,643	(679)	(3,971)

## TOTAL DIVERSION RATE



## DIVERSION RATES, NOT IMPROVING BY CATEGORY



Each month Tacoma sends to landfill 11146 tons ..... that could have gone here



2/3 of what's dumped in landfill could be diverted to recycling or compost^



^ estimate based on King County 2022 Waste Characterization and Customer Survey; 2/3's of what is put in landfill could have been diverted

\* Roll-off tonnage data, if provided, are applied to primary-source category. Roll-off tonnage is typically generated by open-top dumpsters, at some businesses & apartments, and at sites of construction or home renovation.

## Handout #2 - Recommended Actions to Improve City Diversion Rates

### City of Tacoma

#### What We CAN do to Improve Diversion Rates NOW

##### CITYWIDE

- 1 Include, in each newsletter sent to residents, the most current diversion statistics and tips to improve their rates of recycling and composting

- 2 Initiate a program to provide each household and business both a free indoor recycling container and a free countertop kitchen-scrap container (typically your disposal company will help defray costs)



- 3 Change pickup schedules to have garbage picked up every other week while retaining every week pickup for recycling and compost

##### SINGLE-FAMILY

- 1 Pass a City Ordinance to require all 2356 remaining single-family homes to utilize a food scrap / yardwaste barrel
- 2 Start a pilot with 100 residents where diversion advisors review weekly contents of trash, recycle, and compost containers and provide feedback to improve accuracy of material disposal

##### BUSINESS

- 1 Pass a City Ordinance to require all businesses serving the public to make available a recycle container. This would include some of the 679 remaining businesses
- 2 Require each business to work with the disposal company to assure all public-facing disposal containers match the colors used by residents. This would increase accuracy of disposal of materials.
- 3 Pass a City Ordinance to require all businesses serving the public to make available a food scraps container. This would include some of the 3971 remaining businesses

##### MULTI-FAMILY

- 1 Pass a City Ordinance to require all 0 remaining multi-family locations to make available a food scrap / yardwaste container

#### What We CAN do to Improve Diversion Rates In the Near Future

##### In the next disposal contract or amendment, require this:

Require that each container picked up **(a)** be identified (using RFID tag or number already on container) and **(b)** be weighed before and after being dumped into the truck. This **SMART Disposal** program would facilitate improved diversion rates by pickup location. (*this technology already exists, see handout #3*)

Once in place, this program would help each person understand how they are doing in comparison to their neighbors (like PSE does now)

# Handout #3 - SMART Disposal And Why We Need It City of Tacoma

Why should we make changes in landfill diversion now?

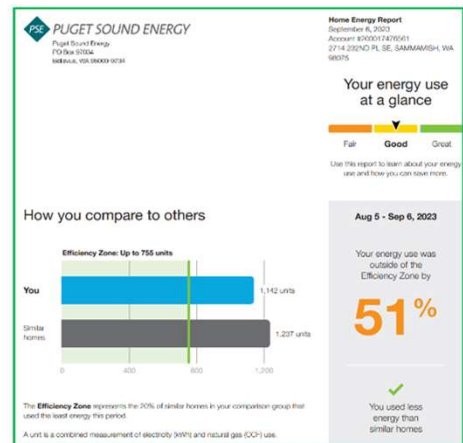
**SMART Disposal**, which weighs each container emptied by the disposal company, provides individual weight information to city residents and businesses, helping us move from a “toss and forget” mindset toward making better choices. We all know that feedback through measurement works because our water, electricity, and gas are all metered, helping us to moderate our use. We wouldn't want to pay for other people's use of water or power, yet we are now paying disposal fees based on container size and not weight. **This is not fair and fails to incentivize landfill diversion.** Would PSE ever try to base our energy bill on the size of our houses? Does the water district base charges on the size of the pipes entering our homes? It just makes sense that our disposal fees should be based on weight usage and not on container size. **SMART Disposal** effectively meters our actual use of the disposal utility, providing a basis for charges that are fairer.

Why incentivize diverting waste from the landfill?

Landfill diversion is cheaper for haulers as they will be charged for less tonnage put in the landfill. These savings should be passed on to residents and businesses when they reduce trash and increase their recycling and composting. We should reward people for making better recycling and composting decisions.

How do we incentivize residents and businesses to divert from the landfill items which can be recycled or composted?

Let's provide each of us with information about how we're doing relative to comparable locations, just as PSE is already doing.



Is **SMART Disposal** even possible? Does the technology exist?

Yes! A company in Renton, WA, Loadman - Creative Microsystems, Inc., has the product right now.

An article from WasteAvantage Magazine, titled, “Waste Haulers Get on Board With On-Board Weighing<sup>1</sup>” shows that this approach is ready now. A

notable quote from this article: "Anything less than real-time feedback is inaccurate and prevents customers from making immediate changes."

**SMART Disposal** Benefits the City In Several Ways

1. Lowers landfill tonnage
2. Lowers greenhouse gas emissions
3. Lowers costs to residents and businesses
4. Lowers costs to disposal companies

<sup>1</sup> <https://wasteadvantagemag.com/waste-haulers-get-on-board-with-on-board-weighing/>

# Handout #4 - Example Postcard Sent to Residents

## Home Trash Reduction Report

1234 Anywhere St., Tacoma, WA 98074

**Composting**  
food scraps / yard  
waste

**Recycling**

**Trash**

Your Average Pounds Last Two Pickups

5 lbs

10 lbs

20 lbs

*Improving!*

Your Average Pounds Prior Mth (4 pickups)

4 lbs

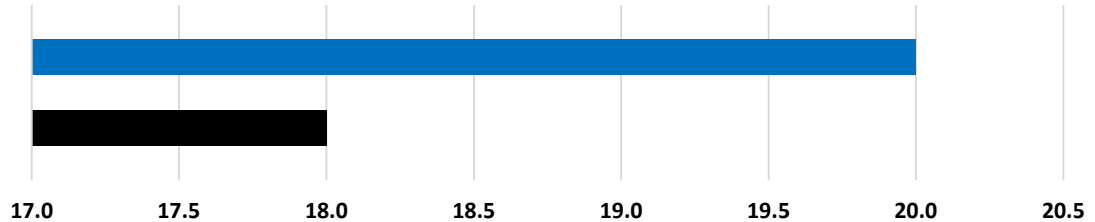
8 lbs

23 lbs

### How you compare to others in your neighborhood (pounds of trash per week)

You

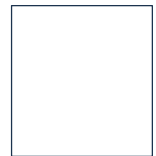
Your Neighbors



Tips on 3 items, among many, you can compost:

- 1 Paper take-out food containers (e.g. fast food)
- 2 Used paper towels
- 3 Pasta

*Tacoma Supports Recycling and Composting!*



Single Family Resident  
1234 Anywhere St.  
Tacoma, WA 98074

*Agenda item for the Mtg*

ORD - Amend Chapter 12.09 of the Municipal Code related to Solid Waste rates for the years 2025 and 2026	Ordinance	An ordinance amending Chapter 12.09 of the Municipal Code, relating to Solid Waste, Recycling, and Hazardous Waste, to adjust rates and charges, effective January 1, 2025, and January 1, 2026.
--	-----------	--

**1st – 2 Minute Talk to Tacoma City Council**

---

Good evening, Mayor, and Councilmembers. My name is Paul Quinn, and I live in Sammamish. I care about recycling and composting and reducing what we send to the landfill.

---

Let's start with a reminder; 2/3's of our trash can actually be recycled or composted.

When I speak of Diversion Rates, this is, the percent of disposed tonnage diverted away from the landfill and to recycling & food scraps / composting.

I have provided you with four handouts.

**The first handout, in table #3, shows Tacoma's diversion rate year to date thru July and it has improved just 1.1% vs YTD July 2023. As important, as the top graphic in the handout indicates, Tacoma's Diversion rate has not improved since 2021. Tacoma's 2030 Diversion rate goal is 70% and the current rate of 21% is far from that goal just 6**

**years from now. This city needs an innovative approach to improve diversion rates.**

Handout #3 provides just such an innovative approach called SMART Disposal. SMART Disposal weighs each container picked up for each single-family home. This system, through a postcard mailed to each resident, provides data specific to the resident based on their address, including a landfill-diversion rate per pick up and a trend line over time. I have provided handout #4 to show an example post-card report to residents. This system helps us move from a “toss and forget” mindset toward making better choices. We all know that feedback through measurement works because our water, electricity, and gas are all metered, helping us to moderate our use. SMART Disposal effectively meters our actual use of the disposal utility.

I recommend the city do a pilot to demonstrate the effectiveness of SMART Disposal. During the pilot, the city will work a limited set of residents to demonstrate the effectiveness of SMART Disposal in



significantly improving diversion rates. I can meet with City staff to review how the pilot works and the budget.

**From:** Mieke Hoppin <miekehoppin@hotmail.com>  
**Sent:** Monday, December 2, 2024 8:10 AM  
**To:** City Clerk's Office  
**Subject:** Dec. 2nd Council Meeting - Public Comments

This comment is related to the proposed Ordinance 29001.

It appears that there is a proposal to change the titles of several classifications.

It appears that the associate engineering class titles are proposed to remove the term associate and refer to this general class as engineer; engineer, senior. etc..

RCW 18.43.020 defines Engineer as a professional engineer.

The City's use of the term engineer may cause confusion and may conflict with the intent of the Board of Registration for Professional Engineers and Land Surveyors.

Job classification titles should include qualifying language to denote the type of qualification such as Engineer-In-Training when that person is not a Washington State Licensed Professional Engineer.

There is an inherent risk to public safety by the use of the term engineer alone. Risks include: misleading public perception, potential for safety, and erosion of professional credibility.

I would recommend that the Council reconsider the proposed title changes. I do, however, support removing the term Civil as not all engineering staff are Civil Engineers.

Thanks

Mieke Hoppin

**From:** Jami C <inmotionjj@gmail.com>  
**Sent:** Monday, December 2, 2024 4:34 PM  
**To:** City Clerk's Office  
**Cc:** Scott, Jamika; Hines, John; Walker, Kristina; Rumbaugh, Sarah; Bushnell, Joe; Daniels, Kiara; Diaz, Olgly; Woodards, Victoria; Pauli, Elizabeth; Sadalge, Sandesh; Ushka, Catherine  
**Subject:** Fund The Firefighters

Hello again,

My name is Jami and I am writing you as a member of Climate Alliance of the South Sound. I'm reaching out regarding the firefighters portion of the budget. I sat in on both the 6+ hour long council meeting & the budget meeting that occurred the next day. The mayor said that their job as the council is to look at the big picture. I ask then, why would you approve the testing of shotspotter, when data has proven it's an ineffective technology that is used to over-police Black and brown neighborhoods. TFD cannot waste their time helping respond to FALSE ALARMS by this terrible technology. Below is Climate Alliance's statement of solidarity with the firefighters & their union. Fund those who actually save lives, not those who take lives (TPD!)

Solidarity Statement - Firefighters  
December 2nd, 2024

Climate Alliance of the South Sound stands in full support of the Tacoma Fire Department and the IAFF Local 31 as they fight to prevent the removal of 16 rover positions as part of Tacoma's 2025-2026 Biennial Budget. The removal of these positions will result in brownouts of an already under-staffed, ill-equipped department. The removal of these positions will save the city about 2.4 M dollars, or roughly the amount of money that the city gifted to 4 of the police officers who murdered Manual Ellis.

As the city continues to remove mature trees, destroy green spaces, and fail to protect habitat we will see an increase in heat, air quality, and weather related emergencies. Without a fully functioning fire department, these preventable emergencies will turn into preventable deaths. The removal of these positions is another example of the city deeming people as disposable and prioritizing money over lives.

We condemn city council members Daniels, Scott, and city manager Pauli's blatant reactionary dishonesty at the city council meeting on November 19th. The fire department has already thoroughly debunked the dishonest claims made by the city council and manager, and we support the fire department in their assessment, which is available on the Tacoma Fire Department's instagram - @tacomafirefighters, available [here](#).

We demand the city council fully fund the Tacoma Fire Department to prevent unnecessary deaths that will absolutely occur if these 16 positions are removed. The deficit should be taken from the Tacoma Police Department, which is currently budgeted over 10 M more than the fire department. This deficit is more than enough to cover the 16 positions and buy several new fire trucks.

In an effort to save lives, we also demand the city implement a Climate Commission with authority to prevent projects that will worsen the lives of Tacomans and make firefighters' jobs more difficult and deadly.

Sincerely,  
Climate Alliance of the South Sound

Liberate the People! Liberate the Planet

---

Sincerely,  
Jami Crosswhite Cortes

**From:** Sara Tov <sivanst3@icloud.com>  
**Sent:** Wednesday, November 6, 2024 11:18 AM  
**To:** City Clerk's Office  
**Subject:** Vote NO on ceasefire and NO on related resolutions: Keep our city safe!

cc:  
Christians United for Israel  
Press  
State House and Senate Representatives  
U.S. Representative  
U.S. Senators

Dear City Council Members,

As your constituents and concerned Americans across the nation we urge your City Council to vote NO on any ceasefire resolution, NO to BDS, NO to divesting from Israel bonds, NO to withholding military aid to Israel, and NO to dropping charges against those arrested in the illegal encampments.

Sadly, City Council members have allowed themselves to be pulled into a discussion about these resolutions, which is part of Hamas' global PR campaign to cover up their double war crimes against Israelis and Palestinians. Make no mistake about it - any participation in Hamas' PR campaign emboldens them to commit further atrocities against our only democratic ally in the Middle East, Palestinians, and increased violence against Jewish people in the world, and in U.S. cities [1-3]. Considering you have no authority regarding foreign policy, have you considered that voting on these resolutions might be misguided? Your job as a city council member would be much better served making sure your Jewish constituents are kept safe, given the rampant antisemitism by pro-Hamas support groups (e.g., AMP, CAIR, JVP, SJP, WOL) afflicting cities [4-8].

Israel pulled out of Gaza in 2005 as a gesture towards peace [9]. True to form, Hamas took over Gaza (2007) and responded with kidnappings and 30,000 rocket attacks against Israel for the last few decades [10-12]. On October 7, 2023, Hamas attacked Israel on land that was within the boundaries of the partition defined in the original UN Partition Plan – UN Resolution 181 (in 1947). There was a ceasefire in place prior to October 7th and Hamas, as usual, broke it. Hamas uses ceasefires for two reasons: to re-supply and to catch Israel off guard – as it did on October 7th. Any ceasefires Hamas has negotiated with Israel over the years have ALWAYS been broken by... Hamas. Who are we kidding here? Hamas leaders have stated very clearly that when possible, they will commit October 7th over and over again [13]. The Hamas Charter states, "Israel will exist until Islam obliterates it," and "The stones and trees will say, 'O Muslim, there is a Jew behind me, come and kill him'" [14]. Do you honestly believe Israel is dealing with a legitimate peace partner?

As an arm of the notorious Muslim Brotherhood [15], Hamas is a barbaric terrorist organization that has taken innocent hostages (Americans, Israelis, and Foreign Nationals) and boasts of hiding among Palestinian civilians to increase casualties as a PR strategy to try and delegitimize Israel [16]. Numerous U.S. military experts have stated that Israel's record of protecting civilians in warfare exceeds that of any other military in the world [17-19]. According to international law and ethics, Israeli and Palestinian deaths fall squarely on Hamas' shoulders. The only way for this war to end is for Hamas to surrender and return the hostages.

Please vote NO on this ceasefire resolution, NO to BDS, NO to divesting from Israel bonds, NO to withholding military aid to Israel, and NO to dropping charges against those arrested in the illegal encampments. Please bring a rational approach to a situation that has run amok.

Thank you,

References:

1 Megan Pelin, "Shocking Video Shows Jewish Teen Pummeled by a Classmate in Alleged Antisemitic Attack," NY Post, 17 May 2024.

- 2 Zach Kessel, "Anti-Israel Mob Beats Jewish Woman in Riot Outside Los Angeles Synagogue," National Review, 24 June 2024.
- 3 JP Staff, "Jordanian Man Arrested in Florida for Antisemitic Threats Against Orthodox Jews," Jerusalem Post, 10 March 2024
- 4 "CAIR is Hamas: How the Federal Government Proved that CAIR is a Front for Terrorism," Center for Security and Policy, 2016.
- 5 "New Comprehensive Research Reveals Hamas-linked Funding to Students for Justice in Palestine and Groups Growing Web of Influence Post October 7," ISGAP, January 2024.
- 6 "The NGO network orchestrating antisemitic incitement on American campuses," NGO Monitor, 25 April 2024.
- 7 "What to know about the pro-Hamas antisemitic group "Within Our Lifetime," AJC, 1 July 2024.
- 8 Devoun Cetoute, "Protesters Forcibly Removed from Miami Beach Temple Hosting Alan Dershowitz, One Attacked," Miami Herald, 29 February 2024.
- 9 Britannica, "Israel's disengagement from Gaza."
- 10 Orlando Crowcroft, "Hamas Officials: We Were Behind the Kidnapping of Three Israeli Teenagers," The Guardian, 21 August 2014.
- 11 Wikipedia, "Palestinian Rocket Attacks on Israel."
- 12 Nadav Gavrielov, "Hamas and Other Militant Groups are Firing Rockets into Israel Every Day," New York Times, 27 December 2023.
- 13 "Hamas Officials Vow to 'Repeat' October 7 Attack Repeatedly to Teach Israel a Lesson," Economic Times, 11-2-23
- 14 The Avalon Project, "Hamas Covenant 1988," Yale Law School.
- 15 "Muslim Brotherhood: Director of National Intelligence Counter Terrorism Guide, Terrorist Groups: Hamas."
- 16 FDD, "Hamas Officials Admit its Strategy is to use Palestinian Civilians as Human Shields," Foundation for Defense of Democracies, 1 November 2023.
- 17 JINSA, "Updated Open Letter from Retired U.S. Military Leaders in Support of a Strong U.S.-Israel Relationship," 10 May 2024.
- 18 "Eren Molan Interviews American Military Expert M. Pregent," Sky News, 16 June 2024.
- 19 "Urban Warfare Expert: 'Israel is Being Held to Double, Triple Standards,'" Israel National News, 30 June 2024.

--

Sent from [Canary](#)

**From:** Kit Burns <kburns.wcb@gmail.com>  
**Sent:** Friday, November 22, 2024 6:44 AM  
**To:** Carlyle, Char  
**Cc:** Norman, Megan; City Clerk's Office  
**Subject:** Page 158 - Recommendations for Revisions - TMC Manual and City Document Format  
**Attachments:** Page 158 PC Recommendation - TMC Title 13 Revisions.pdf

Char,

I almost forgot (I think) to send this page. I see these as critical comments. I shared something like this with Shirley Schulz sometime ago.

To save time in finding information there needs to be a Heading at the top of the page and the page number at the top of the page. These need to appear at all times the document is searched and especially when a page is printed.

It is a big time saver to the developers, engineers, and city staff in using the TMC.

I would be happy to discuss this with city staff and point out how important it is.

Please share with the Commision and the City Staff.

Thank you!

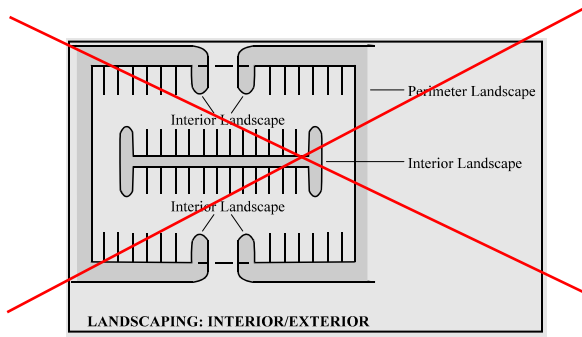
Have a great weekend and Thanksgiving too!

Kit Burns

PO Box 2341  
Tacoma, WA 98401

*"Things don't just happen. They are made to happen."*

**---John F. Kennedy**



This cartoon drawing needs to be correctly done so as not to mislead applicants - it should comply with the City Code. Please correct it.

#### (5) Distribution.

(a) No stall shall be more than 50 feet from a tree trunk.

(b) Long rows of parking shall be broken by islands or peninsulas with trees, such that there are no more than eight parking stalls in a row without a tree.

(c) Planting areas with trees are required at all parking aisle ends.

(d) Trees shall be provided along walkways per 13.06.090.F.

#### (6) Distribution Flexibility Bonuses.

For each of the following bonuses provided, Parking Lot Distribution requirements may be modified as follows: The maximum distance from each stall may increase by 10 feet; and, maximum parking row length may increase by 1 stall.

- Tree retention: Retention of trees at least 20 inches in diameter constitutes at least 50 percent of the number of required trees.
- Evergreen trees: Evergreen trees constitute greater than two-thirds of required trees.
- Low Impact Development: Sites utilizing Low Impact Development (LID) techniques as defined in the City of Tacoma Stormwater Management Manual as their primary stormwater management approach.

#### (7) Parking lot - Perimeter landscaping Planting Requirements.

(a) Parking Lots with more than 20 stalls are required to provide a 10-foot wide planting strip per the planting requirements below.

(b) Where the subject property is 150 feet or less in depth, the perimeter strip can be reduced to 5 feet in width.

(c) When applicable, a Parking Lot Perimeter is required around the shortest circumferential line defining the exterior boundary of a parking, loading or similar paved area, excluding primary structures, driveways or walkways providing access to the facility.

(d) Parking Lot Perimeters shall be planted with a mixture of trees, shrubs and groundcover meeting the following requirements:

- At least one Small Tree per 200 sf, one Medium Tree per 300 sf; or one Large Tree per 400 sf of landscaped area.
- Trees planted shall be generally evenly distributed over the site.
- Shrubs and groundcover plants as required above.
- Trees placed to create a canopy in desired locations without obstructing necessary view corridors.

(e) When site constraints do not allow for the full 10 feet of perimeter width, the perimeter landscaping can be accommodated elsewhere on site, adjacent to the parking lot.

#### (8) Downtown Districts.

(a) All new surface parking lots, additions to parking lots, parking lots associated with buildings undergoing substantial alteration, parking lots increased in size by 50 percent, and parking lots altered on 50 percent of

**From:** mordechai.netanel@icloud.com  
**Sent:** Friday, November 22, 2024 11:55 AM  
**To:** City Clerk's Office  
**Subject:** Vote NO on ceasefire and NO on related resolutions: Keep our city safe!

cc:  
Christians United for Israel  
Press  
State House and Senate Representatives  
U.S. Representative  
U.S. Senators

Dear City Council Members,

As your constituents and concerned Americans across the nation we urge your City Council to vote NO on any ceasefire resolution, NO to BDS, NO to divesting from Israel bonds, NO to withholding military aid to Israel, and NO to dropping charges against those arrested in the illegal encampments.

Sadly, City Council members have allowed themselves to be pulled into a discussion about these resolutions, which is part of Hamas' global PR campaign to cover up their double war crimes against Israelis and Palestinians. Make no mistake about it - any participation in Hamas' PR campaign emboldens them to commit further atrocities against our only democratic ally in the Middle East, Palestinians, and increased violence against Jewish people in the world, and in U.S. cities [1-3]. Considering you have no authority regarding foreign policy, have you considered that voting on these resolutions might be misguided? Your job as a city council member would be much better served making sure your Jewish constituents are kept safe, given the rampant antisemitism by pro-Hamas support groups (e.g., AMP, CAIR, JVP, SJP, WOL) afflicting cities [4-8].

Israel pulled out of Gaza in 2005 as a gesture towards peace [9]. True to form, Hamas took over Gaza (2007) and responded with kidnappings and 30,000 rocket attacks against Israel for the last few decades [10-12]. On October 7, 2023, Hamas attacked Israel on land that was within the boundaries of the partition defined in the original UN Partition Plan – UN Resolution 181 (in 1947). There was a ceasefire in place prior to October 7th and Hamas, as usual, broke it. Hamas uses ceasefires for two reasons: to re-supply and to catch Israel off guard – as it did on October 7th. Any ceasefires Hamas has negotiated with Israel over the years have ALWAYS been broken by... Hamas. Who are we kidding here? Hamas leaders have stated very clearly that when possible, they will commit October 7th over and over again [13]. The Hamas Charter states, "Israel will exist until Islam obliterates it," and "The stones and trees will say, 'O Muslim, there is a Jew behind me, come and kill him'" [14]. Do you honestly believe Israel is dealing with a legitimate peace partner?

As an arm of the notorious Muslim Brotherhood [15], Hamas is a barbaric terrorist organization that has taken innocent hostages (Americans, Israelis, and Foreign Nationals) and boasts of hiding among Palestinian civilians to increase casualties as a PR strategy to try and delegitimize Israel [16]. Numerous U.S. military experts have stated that Israel's record of protecting civilians in warfare exceeds that of any other military in the world [17-19]. According to international law and ethics, Israeli and Palestinian deaths fall squarely on Hamas' shoulders. The only way for this war to end is for Hamas to surrender and return the hostages.

Please vote NO on this ceasefire resolution, NO to BDS, NO to divesting from Israel bonds, NO to withholding military aid to Israel, and NO to dropping charges against those arrested in the illegal encampments. Please bring a rational approach to a situation that has run amok.

Thank you,

References:

1 Megan Pelin, "Shocking Video Shows Jewish Teen Pummeled by a Classmate in Alleged Antisemitic Attack," NY Post, 17 May 2024.



- 2 Zach Kessel, "Anti-Israel Mob Beats Jewish Woman in Riot Outside Los Angeles Synagogue," National Review, 24 June 2024.
- 3 JP Staff, "Jordanian Man Arrested in Florida for Antisemitic Threats Against Orthodox Jews," Jerusalem Post, 10 March 2024
- 4 "CAIR is Hamas: How the Federal Government Proved that CAIR is a Front for Terrorism," Center for Security and Policy, 2016.
- 5 "New Comprehensive Research Reveals Hamas-linked Funding to Students for Justice in Palestine and Groups Growing Web of Influence Post October 7," ISGAP, January 2024.
- 6 "The NGO network orchestrating antisemitic incitement on American campuses," NGO Monitor, 25 April 2024.
- 7 "What to know about the pro-Hamas antisemitic group "Within Our Lifetime," AJC, 1 July 2024.
- 8 Devoun Cetoute, "Protesters Forcibly Removed from Miami Beach Temple Hosting Alan Dershowitz, One Attacked," Miami Herald, 29 February 2024.
- 9 Britannica, "Israel's disengagement from Gaza."
- 10 Orlando Crowcroft, "Hamas Officials: We Were Behind the Kidnapping of Three Israeli Teenagers," The Guardian, 21 August 2014.
- 11 Wikipedia, "Palestinian Rocket Attacks on Israel."
- 12 Nadav Gavrielov, "Hamas and Other Militant Groups are Firing Rockets into Israel Every Day," New York Times, 27 December 2023.
- 13 "Hamas Officials Vow to 'Repeat' October 7 Attack Repeatedly to Teach Israel a Lesson," Economic Times, 11-2-23
- 14 The Avalon Project, "Hamas Covenant 1988," Yale Law School.
- 15 "Muslim Brotherhood: Director of National Intelligence Counter Terrorism Guide, Terrorist Groups: Hamas."
- 16 FDD, "Hamas Officials Admit its Strategy is to use Palestinian Civilians as Human Shields," Foundation for Defense of Democracies, 1 November 2023.
- 17 JINSA, "Updated Open Letter from Retired U.S. Military Leaders in Support of a Strong U.S.-Israel Relationship," 10 May 2024.
- 18 "Eren Molan Interviews American Military Expert M. Pregent," Sky News, 16 June 2024.
- 19 "Urban Warfare Expert: 'Israel is Being Held to Double, Triple Standards,'" Israel National News, 30 June 2024.

**From:** Shifi Silber <shifisilber@gmail.com>  
**Sent:** Wednesday, November 6, 2024 11:20 AM  
**To:** City Clerk's Office  
**Subject:** Vote NO on ceasefire and NO on related resolutions: Keep our city safe!

cc:  
Christians United for Israel  
Press  
State House and Senate Representatives  
U.S. Representative  
U.S. Senators

Dear City Council Members,

As your constituents and concerned Americans across the nation we urge your City Council to vote NO on any ceasefire resolution, NO to BDS, NO to divesting from Israel bonds, NO to withholding military aid to Israel, and NO to dropping charges against those arrested in the illegal encampments.

Sadly, City Council members have allowed themselves to be pulled into a discussion about these resolutions, which is part of Hamas' global PR campaign to cover up their double war crimes against Israelis and Palestinians. Make no mistake about it - any participation in Hamas' PR campaign emboldens them to commit further atrocities against our only democratic ally in the Middle East, Palestinians, and increased violence against Jewish people in the world, and in U.S. cities [1-3]. Considering you have no authority regarding foreign policy, have you considered that voting on these resolutions might be misguided? Your job as a city council member would be much better served making sure your Jewish constituents are kept safe, given the rampant antisemitism by pro-Hamas support groups (e.g., AMP, CAIR, JVP, SJP, WOL) afflicting cities [4-8].

Israel pulled out of Gaza in 2005 as a gesture towards peace [9]. True to form, Hamas took over Gaza (2007) and responded with kidnappings and 30,000 rocket attacks against Israel for the last few decades [10-12]. On October 7, 2023, Hamas attacked Israel on land that was within the boundaries of the partition defined in the original UN Partition Plan – UN Resolution 181 (in 1947). There was a ceasefire in place prior to October 7th and Hamas, as usual, broke it. Hamas uses ceasefires for two reasons: to re-supply and to catch Israel off guard – as it did on October 7th. Any ceasefires Hamas has negotiated with Israel over the years have ALWAYS been broken by... Hamas. Who are we kidding here? Hamas leaders have stated very clearly that when possible, they will commit October 7th over and over again [13]. The Hamas Charter states, "Israel will exist until Islam obliterates it," and "The stones and trees will say, 'O Muslim, there is a Jew behind me, come and kill him'" [14]. Do you honestly believe Israel is dealing with a legitimate peace partner?

As an arm of the notorious Muslim Brotherhood [15], Hamas is a barbaric terrorist organization that has taken innocent hostages (Americans, Israelis, and Foreign Nationals) and boasts of hiding among Palestinian civilians to increase casualties as a PR strategy to try and delegitimize Israel [16]. Numerous U.S. military experts have stated that Israel's record of protecting civilians in warfare exceeds that of any other military in the world [17-19]. According to international law and ethics, Israeli and Palestinian deaths fall squarely on Hamas' shoulders. The only way for this war to end is for Hamas to surrender and return the hostages.

Please vote NO on this ceasefire resolution, NO to BDS, NO to divesting from Israel bonds, NO to withholding military aid to Israel, and NO to dropping charges against those arrested in the illegal encampments. Please bring a rational approach to a situation that has run amok.

Thank you,

Shifra Silber

References:

1 Megan Pelin, "Shocking Video Shows Jewish Teen Pummeled by a Classmate in Alleged Antisemitic Attack," NY Post, 17 May 2024.

- 2 Zach Kessel, "Anti-Israel Mob Beats Jewish Woman in Riot Outside Los Angeles Synagogue," National Review, 24 June 2024.
- 3 JP Staff, "Jordanian Man Arrested in Florida for Antisemitic Threats Against Orthodox Jews," Jerusalem Post, 10 March 2024
- 4 "CAIR is Hamas: How the Federal Government Proved that CAIR is a Front for Terrorism," Center for Security and Policy, 2016.
- 5 "New Comprehensive Research Reveals Hamas-linked Funding to Students for Justice in Palestine and Groups Growing Web of Influence Post October 7," ISGAP, January 2024.
- 6 "The NGO network orchestrating antisemitic incitement on American campuses," NGO Monitor, 25 April 2024.
- 7 "What to know about the pro-Hamas antisemitic group "Within Our Lifetime," AJC, 1 July 2024.
- 8 Devoun Cetoute, "Protesters Forcibly Removed from Miami Beach Temple Hosting Alan Dershowitz, One Attacked," Miami Herald, 29 February 2024.
- 9 Britannica, "Israel's disengagement from Gaza."
- 10 Orlando Crowcroft, "Hamas Officials: We Were Behind the Kidnapping of Three Israeli Teenagers," The Guardian, 21 August 2014.
- 11 Wikipedia, "Palestinian Rocket Attacks on Israel."
- 12 Nadav Gavrielov, "Hamas and Other Militant Groups are Firing Rockets into Israel Every Day," New York Times, 27 December 2023.
- 13 "Hamas Officials Vow to 'Repeat' October 7 Attack Repeatedly to Teach Israel a Lesson," Economic Times, 11-2-23
- 14 The Avalon Project, "Hamas Covenant 1988," Yale Law School.
- 15 "Muslim Brotherhood: Director of National Intelligence Counter Terrorism Guide, Terrorist Groups: Hamas."
- 16 FDD, "Hamas Officials Admit its Strategy is to use Palestinian Civilians as Human Shields," Foundation for Defense of Democracies, 1 November 2023.
- 17 JINSA, "Updated Open Letter from Retired U.S. Military Leaders in Support of a Strong U.S.-Israel Relationship," 10 May 2024.
- 18 "Eren Molan Interviews American Military Expert M. Pregent," Sky News, 16 June 2024.
- 19 "Urban Warfare Expert: 'Israel is Being Held to Double, Triple Standards,'" Israel National News, 30 June 2024.

**From:** 350 Tacoma <350tacoma@gmail.com>  
**Sent:** Monday, December 2, 2024 3:54 PM  
**To:** City Clerk's Office  
**Subject:** Climate Commission

Dear Tacoma City Council, Mayor, Manager and staff,

The current draft ordinance creating a Climate Commission is purely advisory, with no real power, and as such, is unacceptable. The magnitude of the climate crisis and the severity of the impacts already being felt locally and globally demand effective solutions and a departure from business as usual that continues to fuel racial and climate injustices.

The ordinance must be amended to: enshrine the Commission with authoritative powers; ensure the Commissioners represent the public, the communities most impacted, the Tribe whose land we are on, and the youth whose future hangs in the balance—not corporate interests; provide the Commission with access to independent health and environmental experts.

350 Tacoma



← 350

TACOMA



**From:** Climate Catastrophe <admin@ccg0.org>  
**Sent:** Monday, December 2, 2024 3:56 PM  
**To:** City Clerk's Office  
**Subject:** Climate Commission Ordinance

Climate Catastrophe Ground Zero (ccg0) is a coalition of diverse community groups in Tacoma united under the shared understanding that the climate crisis has escalated into a global catastrophe. In response, we have committed to protecting and serving our communities by facing this existential threat together.

A central goal of our coalition has been the establishment of an effective and accountable climate commission for Tacoma. We are encouraged to see the city taking steps toward making this a reality. Over the coming weeks, you will hear from many of our coalition members, each bringing their unique perspectives, voices, and strategies to the conversation. While these approaches may vary, what binds us is a collective vision for a just and equitable outcome that addresses both global challenges and local realities, particularly for communities most impacted by the crisis.

As a coalition, we are deeply invested in the formation of a climate commission that truly reflects the needs, voices, and leadership of the community. However, we must be clear: if the final result fails to meet the expectations and standards of the people, ccg0 will use the strength of the coalition to bring the community together to plan, develop, and create an independent climate commission. Together, we will ensure the power to confront this crisis remains with the people and not with insufficient measures.

We stand ready to collaborate, advocate, and, if necessary, take collective action. Throughout this process, various members of our coalition, and indeed the wider community, will engage with you and others to share their specific input, ideas, and opinions. These contributions will reflect both global awareness and local expertise, underscoring the urgency and interconnectedness of climate action while ensuring solutions are tailored to Tacoma's unique needs.

Tacoma's future—and the future of our planet—cannot wait for half-measures. We are committed to ensuring that together, we rise to meet this challenge.

Together, for Grandmother Earth,  
**Climate Catastrophe Ground Zero (ccg0)**

**From:** Gemini Gnull <chik.zilla@gmail.com>  
**Sent:** Monday, December 2, 2024 4:39 PM  
**To:** City Clerk's Office  
**Subject:** Climate Alliance Demands

Immediate Demands for Climate Commission  
December 2nd, 2024

After immense pressure from the community, and an explicit request from the charter review committee, the city of Tacoma has proposed an ordinance that would enshrine in law a Climate Accountability and Sustainability Commission. This is a victory for the people of Tacoma. However, as written, the commission has only advisory powers, and is entirely appointed by the city council. While historically the City council has chosen not to take the advice of the people, we urge the City Council to listen to our cries: People over Profit! Climate over Corporations!

Now is the time to put pressure on the city to improve this commission for the sake of every person in Tacoma. The city has declared a climate emergency. Five years later, we are in the hour of climate catastrophe as more people die every year from preventable climate disasters. The city has the power to improve this commission. And the people, united, have the power to force their hand.

Our immediate demands

Commission will have authoritative powers to require a Health Impact Assessment (HIA) and an Environmental Impact Statement (EIS) for developments.

Commission will have authoritative powers including the ability to veto permits and projects based upon, but not limited to, the following criteria:

Diversity, equity and inclusion as outlined by the existing Equity Index tool

Impact to the Ground Water Protection District

Removal of existing mature trees

Results of HIA and EIS

Consultation with local tribes

Preservation of native ecosystems

Commission will be majority elected. Youth and non-elected seats must be appointed by the elected commission, not by businesses or the city council.

Commission will include non-corporate experts, giving right of first refusal to community members.

Commission will not be restricted by the Infrastructure, Planning, and Sustainability Committee, and able to make decisions beyond the limitations of the city manager's supervision.

Ordinance will grant the commission financial sovereignty, funding gained from the carbon budget and through external donations will provision the commission to the following allocations:

Commissioners receive stipends for their work.

Commission may install and maintain infrastructure such as air quality filters to contribute to city data

Environmental restoration projects

Climate Alliance of the South Sound is requesting one-on-one meetings with council members to discuss how the community can get these demands met in the upcoming ordinance.

**From:** Cass <climate.alliance.south.sound@gmail.com>  
**Sent:** Monday, December 2, 2024 4:39 PM  
**To:** City Clerk's Office  
**Subject:** Written Comment for 12/03/2024 Council Meeting  
**Attachments:** Climate Commission Statement and Demands.docx

Please submit this for tomorrow's City Council Meeting as a written comment.



## Immediate Demands of Climate Commission December 2nd, 2024

After immense pressure from the community, and an explicit request from the charter review committee, the city of Tacoma has proposed an ordinance that would enshrine in law a Climate Accountability and Sustainability Commission. This is a victory for the people of Tacoma. However, as written, the commission has only advisory powers, and is entirely appointed by the city council. While historically the City council has chosen not to take the advice of the people, we urge the City Council to listen to our cries: People over Profit! Climate over Corporations!

Now is the time to put pressure on the city to improve this commission for the sake of every person in Tacoma. The city has declared a climate emergency. Five years later, we are in the hour of climate catastrophe as more people die every year from preventable climate disasters. The city has the power to improve this commission. And the people, united, have the power to force their hand.

### Our immediate demands

- Commission will have authoritative powers to require a Health Impact Assessment (HIA) and an Environmental Impact Statement (EIS) for developments.
- Commission will have authoritative powers including the ability to veto permits and projects based upon, but not limited to, the following criteria:
  - Diversity, equity and inclusion as outlined by the existing Equity Index tool
  - Impact to the Ground Water Protection District
  - Removal of existing mature trees
  - Results of HIA and EIS
  - Consultation with local tribes
  - Preservation of native ecosystems
- Commission will be majority elected. Youth and non-elected seats must be appointed by the elected commission, not by businesses or the city council.
- Commission will include non-corporate experts, giving right of first refusal to community members.
- Commission will not be restricted by the Infrastructure, Planning, and Sustainability Committee, and able to make decisions beyond the limitations of the city manager's supervision.
- Ordinance will grant the commission financial sovereignty, funding gained from the carbon budget and through external donations will provision the commission to the following allocations:
  - Commissioners receive stipends for their work.
  - Commission may install and maintain infrastructure such as air quality filters to contribute to city data
  - Environmental restoration projects

Climate Alliance of the South Sound is requesting one-on-one meetings with council members to discuss how the community can get these demands met in the upcoming ordinance.

